

Marlow

QUICK RELEASE MECHANISM

An innovative device designed for the release of fast ropes and extraction ropes used during fast evacuation from a helicopter. Three types of slots are available as standard for helicopter winches in order to suit different attachments, made to measure slots are also available. The device has a wide passage for different terminations i.e. standard with soft eye, DLT, MFT and other metal terminations. The push-button release system is fitted with a safety pin.

PROPERTIES

WEIGHT:	1600g
PERSONNEL:	Up to 12
MATERIAL:	Alu Alloy
STANDARD:	EN 795/B
COLOUR:	BLACK



HOW TO OPERATE THE QRM DEVICE:

STEP 1



STEP 2



STEP 3



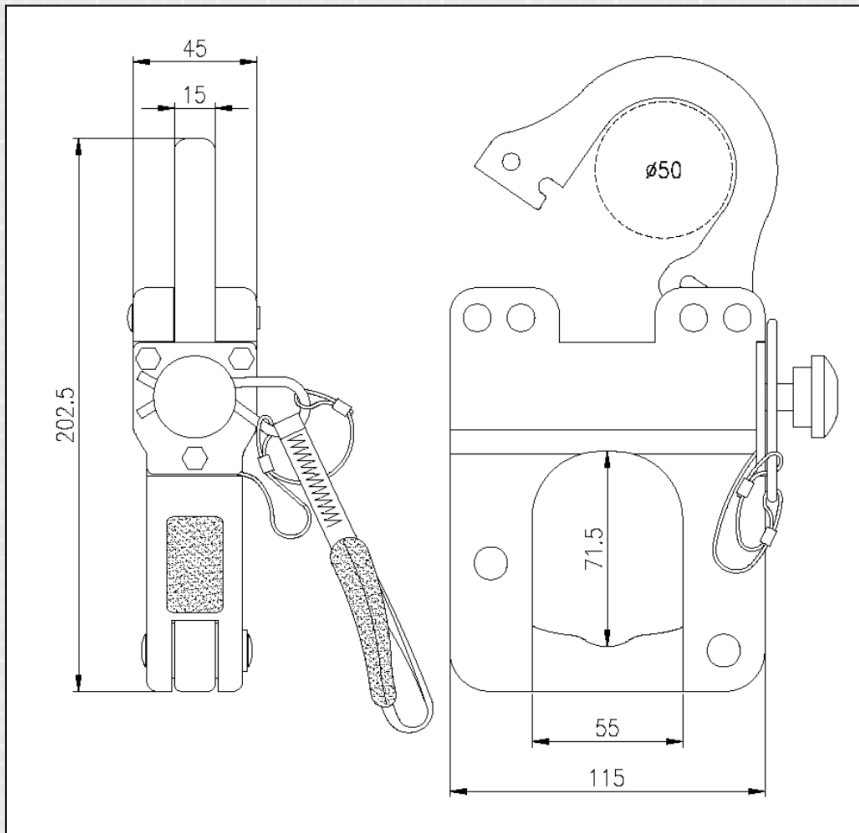
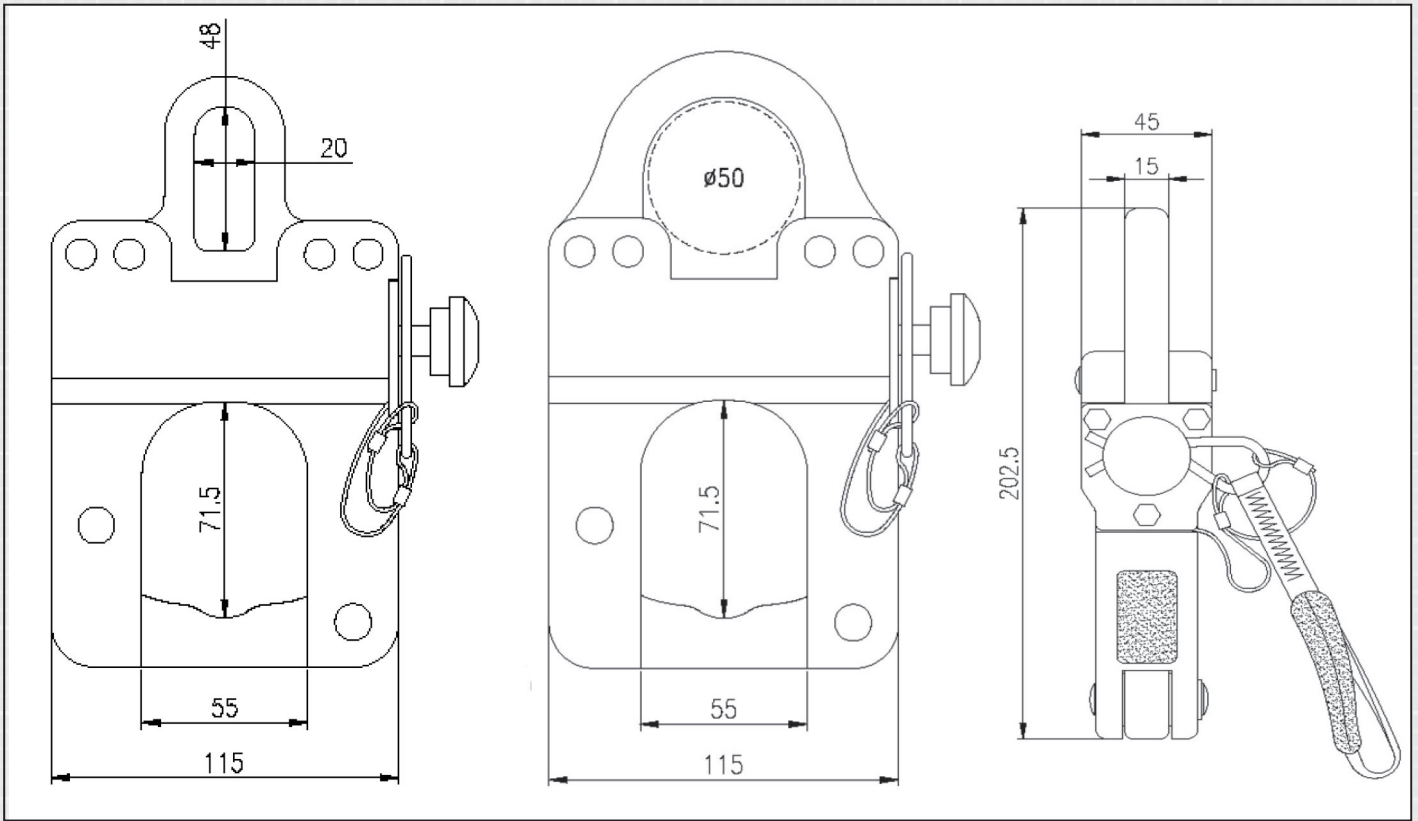
STEP 4



To operate the QRM, unlock the Safety Catch as shown in step 2. Press the red release button as in step 3. The bar will then open and release the Fast Rope as shown in step 4.

DEVICE SPECIFICATION AND DIMENSIONS

* Please note dimensions below are given in mm



Marlow Ropes Ltd
Ropemaker Park
Hailsham
East Sussex, BN27 3GU
England

Marlow Ropes, Inc.
Cordage Business Park
Plymouth
MA 02360
USA

www.marlowropes.com
UK: +44 (0) 1323 444 444
sales@marlowropes.com
US: +1 508 830 444
salesusa@marlowropes.com

Disclaimer

Marlow Ropes Ltd endeavours to ensure that all products are manufactured to the highest standard, these guidelines are not intended and do not create any warranties, express or implied. Marlow Ropes Ltd expressly disclaims warranties or representations of any kind, express or implied, including the implied warranties of merchantability and fitness for a particular purpose.

MA-DA-081 | ISSUE NO.2

A member of



Certification Number 315

ISO 9001